

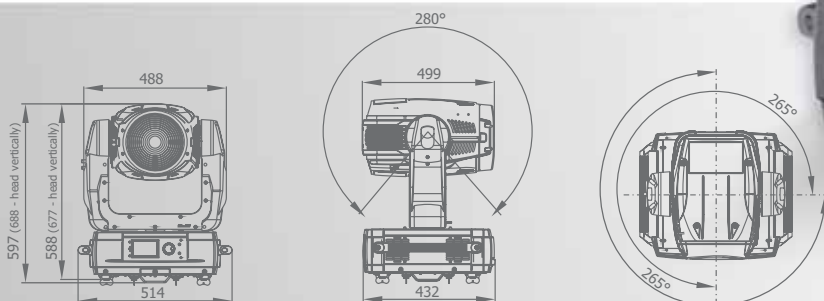
# ColorWash 700E AT™



- **Lamp:** Philips MSR Gold 700™ FastFit (700W, 6000K, 750 hrs life), automatic and remote on/off
- **Ballast:** Electronic
- **Zoom:** Linear, motorized, range 6° - 45°, 8- or 16-bit
- **Colour mixing system:** Full CMY + CTO
- **Colour wheel:** 7 replaceable "SLOT&LOCK" dichroic filters + open
- **Colour wheel positioning:** 8- or 16-bit
- **Beam shaper:** Indexable, continuous rotation in both directions at different speeds, 8- or 16-bit
- **Dimmer/Shutter:** Full range dimming and variable strobe effect, electronic strobbing "ZAP"
- **Fixation option:** Pan/Tilt-lock mechanism
- **Pan/Tilt movement range:** Pan 530°, Tilt 280°
- **Pan/Tilt resolution:** 16-bit
- **Setting & Addressing:** ROBE Navigation System (RNS)
- **Display:** Blue/White LCD graphic
- **Operation mode:** Stand alone, DMX operation (support for RDM protocol)
- **Connectivity:** DMX, Ethernet port (Art-Net protocol, ready for ACN)
- **Control channels:** 18, 20, 21, 22, 23 or 24; 6 protocol modes
- **Mounting Points:** 4 pairs of ¼-turn locks for 2 Omega brackets
- **Optional Accessories:** Module of front wide-angle lens; Top hats

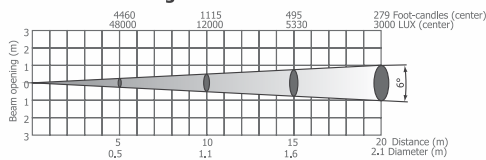
Dimensions: Height (head horizontally) = 597 mm (23.5"), Width = 514 mm (20.2"), Depth = 499 mm (19.7"); Weight: 30.4 kg (67 lbs)

## AT series

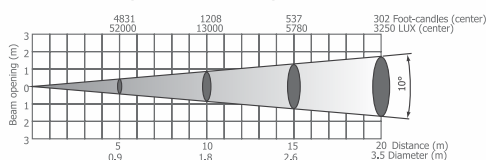


Lamp: MSR Gold 700™ FastFit

### Beam angle 6° - min. zoom



### Beam angle 10° - max. light output



### Beam angle 45° - max. zoom

